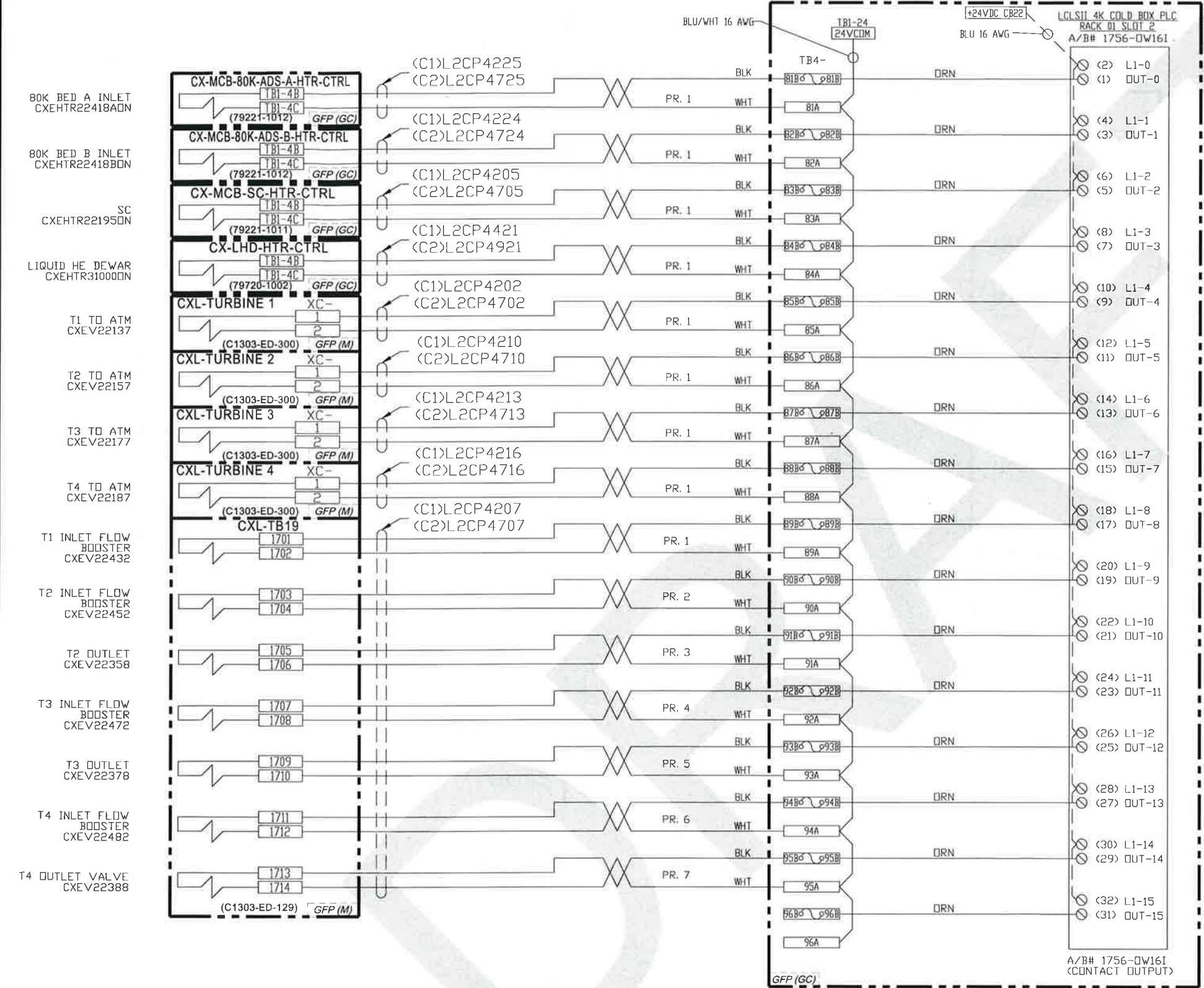
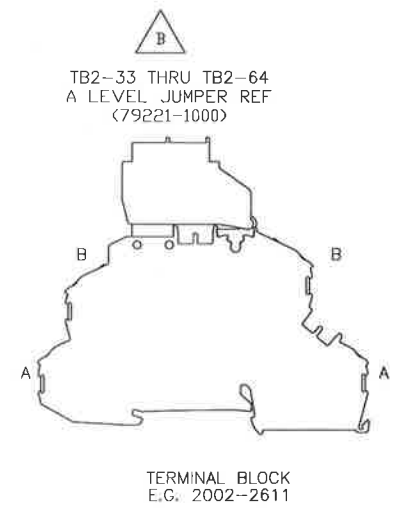


RESTRICTIVE NOTICE: These designs and drawings were prepared by Jefferson Science Associates, LLC, hereinafter the Contractor, under Contract No. JE-405-66282077 with the Department of Energy (DOE). All rights in the designs and drawings are reserved by DOE on behalf of the United States Government and the Contractor as provided in the Contract. You are authorized to use these works for Governmental purposes but it is not to be released or distributed to the public. NEITHER THE GOVERNMENT NOR THE CONTRACTOR MAKES ANY WARRANTY, EXPRESS OR IMPLIED, OR ASSUMES ANY LIABILITY FOR THE USE OF THESE DESIGNS OR DRAWINGS. (This notice including this sentence must appear on any copies of these designs or drawings.)

### C2-4K-CBX-PLC



REVISION HISTORY				
ZONE	REV	DESCRIPTION	DATE	APPROVED
ALL	-	INITIAL SUBMITTAL	TMM 30AUG17	R. NORTON
SH1 5 SH1 7 SH2 8D SH2 8C SH2 5	A	1. REVISED ALL TERMINAL NUMBERS. 2. ADDED TERMINAL BOX DETAILS. 3. ADDED DESCRIPTION AND TERMINAL NUMBERS ON FIELD SIDE. 4. REVISED ALL TERMINAL NUMBERS AND WIRE COLORS.	SS 17NOV17	R. NORTON
SH2 8 SH1 6-A SH2 8-C SH1 8 SH2 7 SH3 7	B	1. ADDED 3 HEATER SIGNALS 2. ADDED NOTE 4 3. REVISED PV'S TO SV'S. 4. ADDED FIELD TERMINALS NOS & REVISED CABLE NUMBERS. 5. ADDED THIRD DO MODULE. 6. CHANGED VALVE ENCLOSURE AND TERMINALS. 7. ADDED REMOTE START AND STOP OUTPUTS. 8. ADDED 80K TO ADS ENCLOSURE NAMES. 9. ADDED FIELD TO NOTE 2. 10. ADDED TB1- TO ENCLOSURE TERMINALS. 11. ADDED SHEET 3.	SS 27FEB18	R. NORTON
SH3	C	1. ADDED SHEET 3.	CRS 20MAR18	R. NORTON
SH1 2-C	D	1. CORRECTED TB PART NUMBER.	CRS 04APR18	R. NORTON
ALL	E	1. REVISED DRAWING IN ITS ENTIRETY	SS 01FEB19	R. NORTON

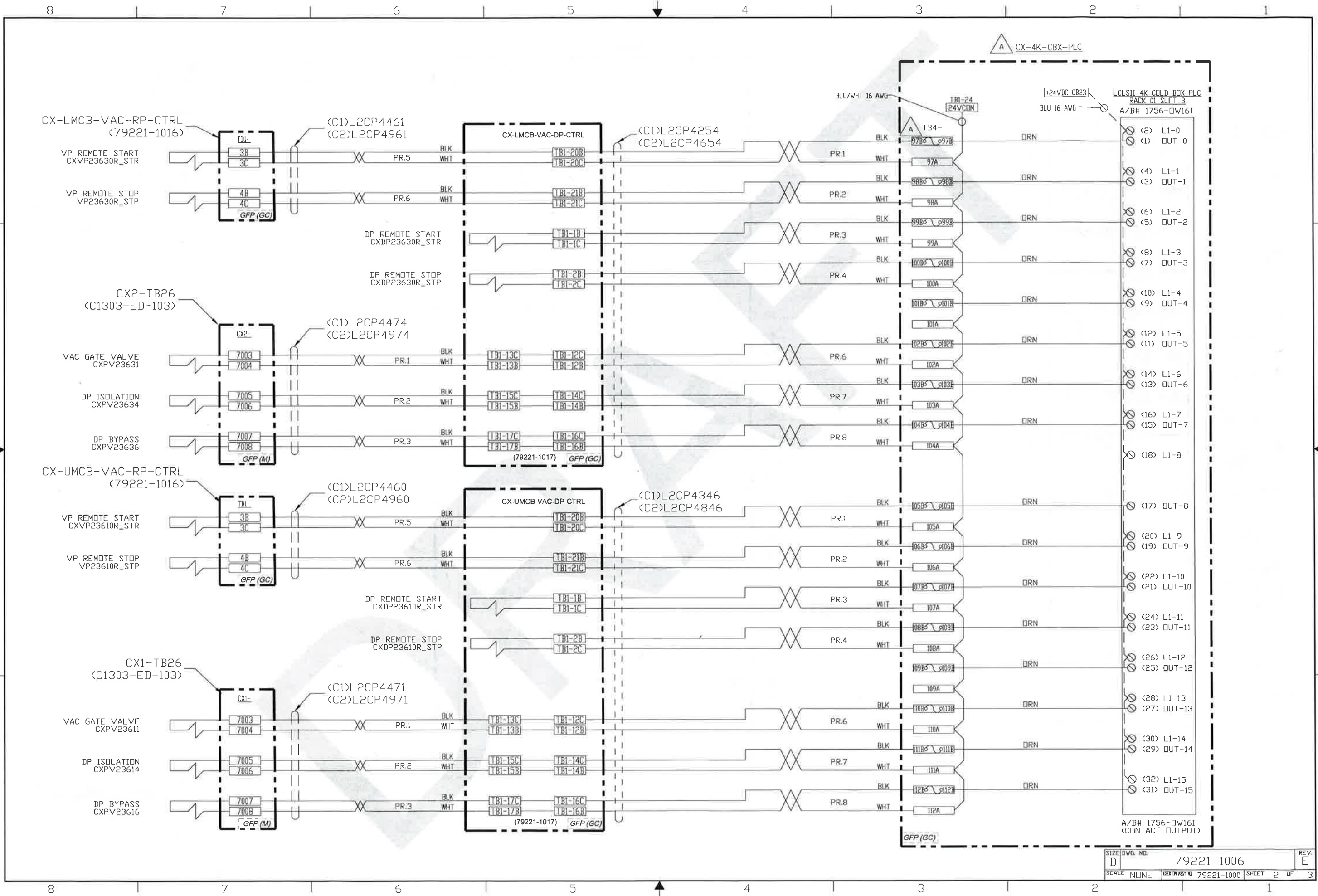


- NOTES**
1. USE AB 1756-JMPR TO JUMPER TERMINALS LI-X.
  2. UNLESS OTHERWISE SPECIFIED, ALL FIELD COMPONENTS AND CABLES TO BE INSTALLED BY GENERAL CONTRACTOR.
  3. X IS 1 OR 2 FOR C1 OR C2, RESPECTIVELY.
  4. ALL WIRE INSIDE THE ENCLOSURE ARE 20 AWG UNLESS OTHERWISE SPECIFIED.

EACH SHEET OF A MULTI-SHEET DRAWING SHALL ALWAYS CARRY THE SAME REVISION LEVEL

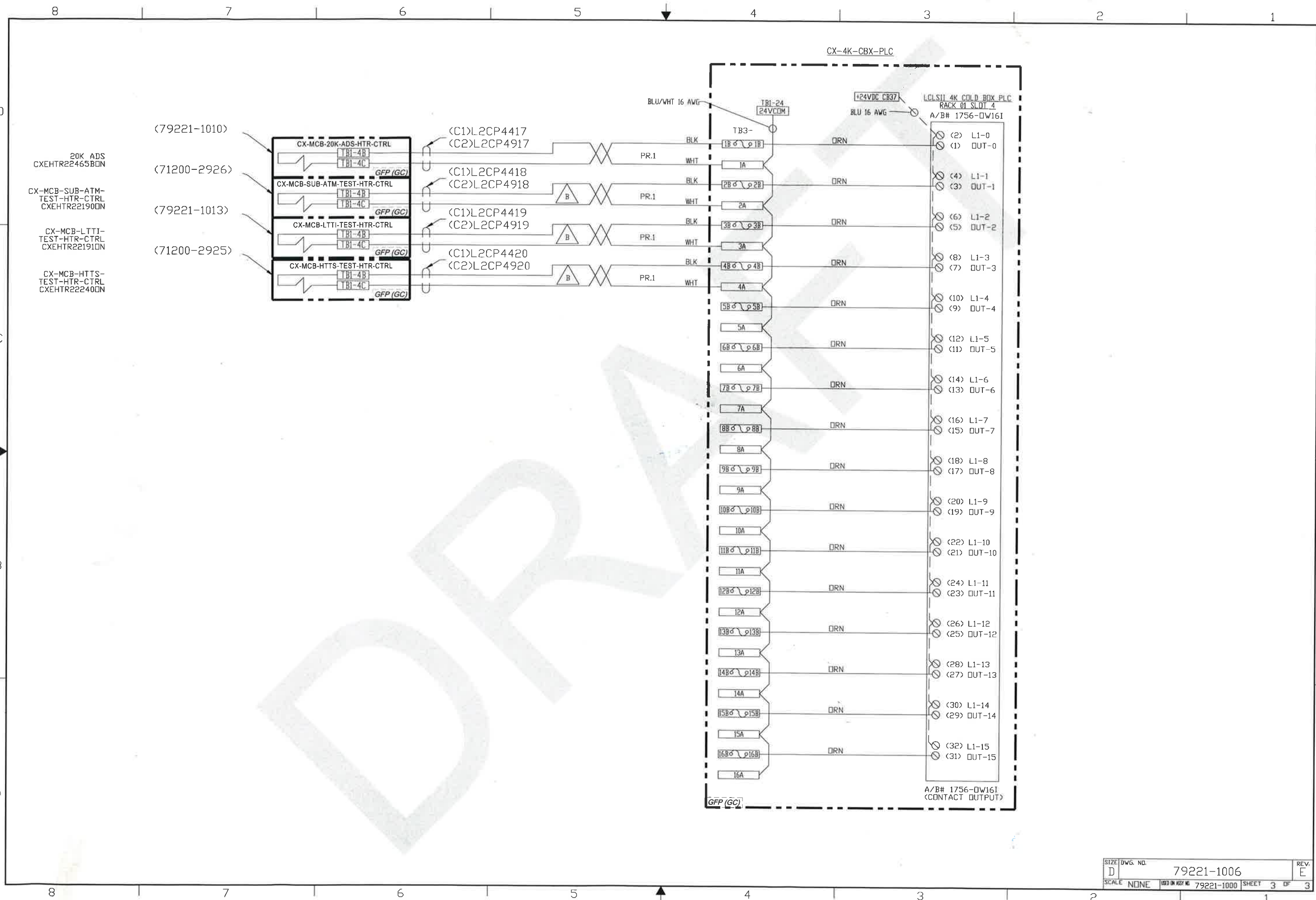
DIM & TOL PER ASME Y14.5 2009 UNLESS OTHERWISE SPECIFIED DIMENSIONS ARE IN INCHES TOLERANCES ARE: FRACTIONS DECIMAL ANGLES ± 1/8 .X ± .1 ± .50° .XX ± .01 .XXX ± .005	MATERIAL: NONE FINISH: MACHINED SURFACES UNLESS OTHERWISE NOTED DEBURR & BREAK ALL SHARP EDGES	US Department of Energy Office of Science <b>Jefferson Lab</b> Thomas Jefferson National Accelerator Facility Operated by Jefferson Science Associates, LLC
THIRD ANGLE PROJECTION 	DO NOT SCALE DRAWING DRAWN: T.MCCOOL DATE: 30AUG17	LCLS II CRYOGENICS 4K COLD BOX SYSTEM RELAY DISCRETE OUTPUT PLC MODULE TERMINATION DETAIL SIZE: D DWG. NO: 79221-1006 SCALE: NONE SHEET 1 OF 3

RESTRICTIVE NOTICE: These designs and drawings were prepared by Jefferson Science Associates, LLC, hereinafter the Contractor, under Contract No. JE-405-6022077 with the Department of Energy (DOE). All rights in the designs and drawings are reserved by DOE on behalf of the United States Government and the Contractor as provided in the Contract. You are authorized to use these works for Governmental purposes but it is not to be released or distributed to the public. NEITHER THE GOVERNMENT NOR THE CONTRACTOR MAKES ANY WARRANTY, EXPRESS OR IMPLIED, OR ASSUMES ANY LIABILITY FOR THE USE OF THESE DESIGNS OR DRAWINGS. (This notice including this sentence must appear on any copies of these designs or drawings.)



SIZE	DWG. NO.	REV.
D	79221-1006	E
SCALE	USE IN ASSY NO.	SHEET
NONE	79221-1000	2 OF 3

RESTRICTIVE NOTICE: These designs and drawings were prepared by Jefferson Science Associates, LLC, hereinafter the Contractor, under Contract No. DE-AC05-84OR21470 with the Department of Energy (DOE). All rights in the designs and drawings are reserved by DOE on behalf of the United States Government and the Contractor as provided in the Contract. You are authorized to use these works for Governmental purposes but it is not to be released or distributed to the public. NEITHER THE GOVERNMENT NOR THE CONTRACTOR MAKES ANY WARRANTY, EXPRESS OR IMPLIED, OR ASSUMES ANY LIABILITY FOR THE USE OF THESE DESIGNS OR DRAWINGS. (This notice including this sentence must appear on any copies of these designs or drawings)



SIZE	DWG. NO.	REV.
D	79221-1006	E
SCALE	100% ON ASSY NO. 79221-1000	SHEET 3 OF 3