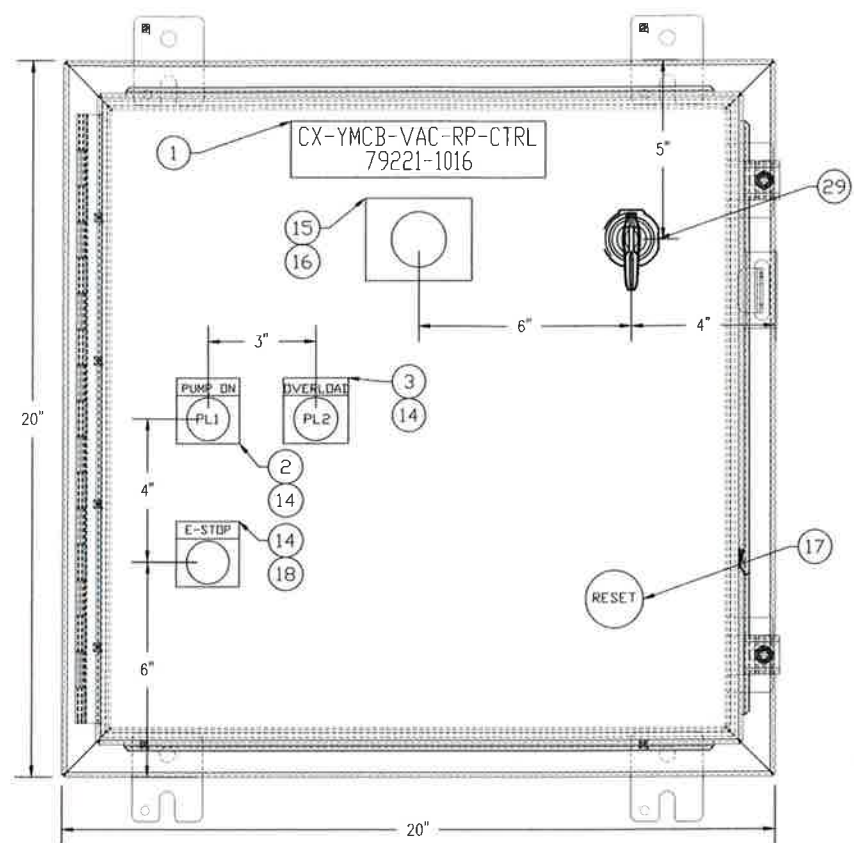
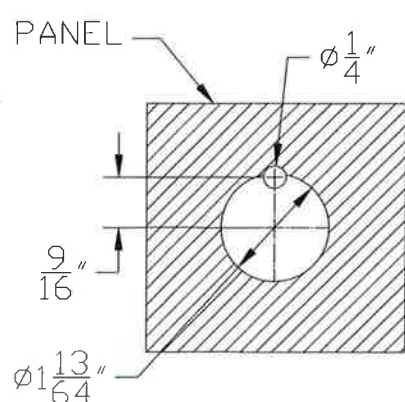
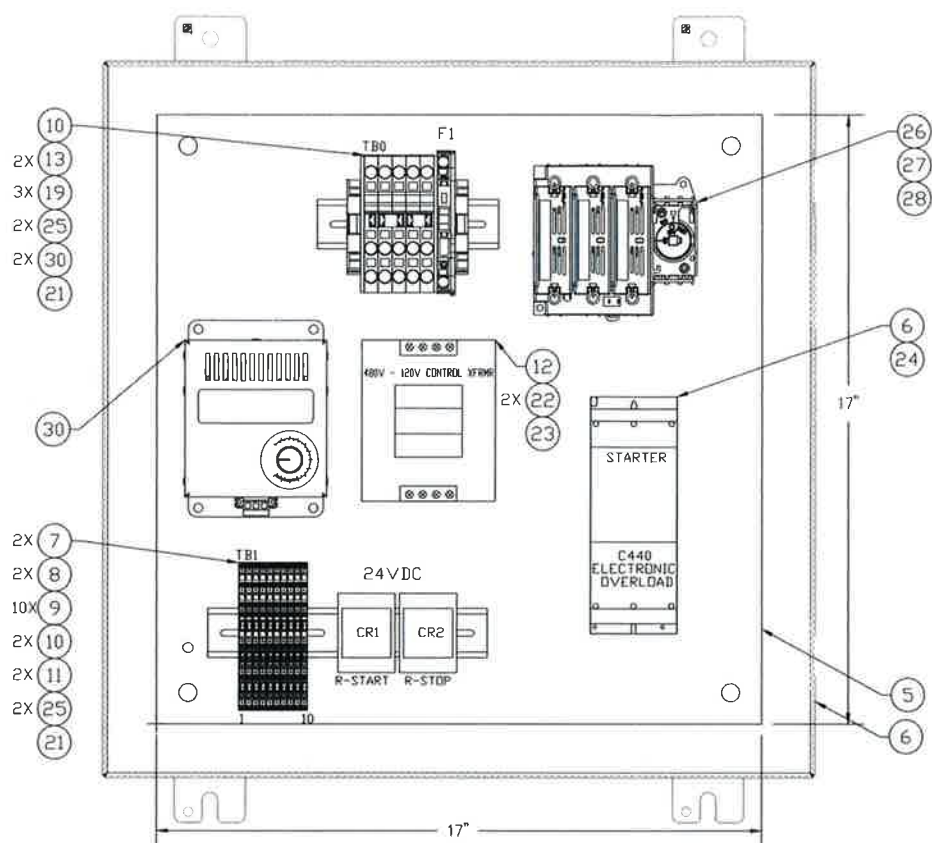


RESTRICTIVE NOTICE: These designs and drawings were prepared by Jefferson Science Associates, LLC, hereinafter, the Contractor, under Contract No. DE-AC05-04OR21477 with the Department of Energy (DOE). All rights in the designs and drawings are reserved by DOE on behalf of the United States Government and the Contractor as provided in the Contract. You are authorized to use these works for Governmental purposes but it is not to be released or distributed to the public. NEITHER THE GOVERNMENT NOR THE CONTRACTOR MAKES ANY WARRANTY, EXPRESS OR IMPLIED, OR ASSUMES ANY LIABILITY FOR THE USE OF THESE DESIGNS OR DRAWINGS. (This notice including this sentence must appear on any copies of these designs or drawings.)

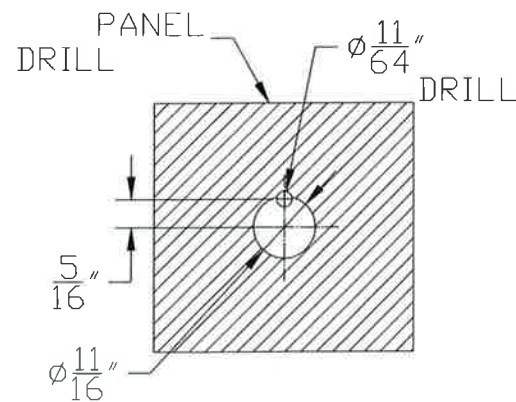
4K VAC CONTROLS BOX: 480V
ENCLOSURE FRONT PANEL



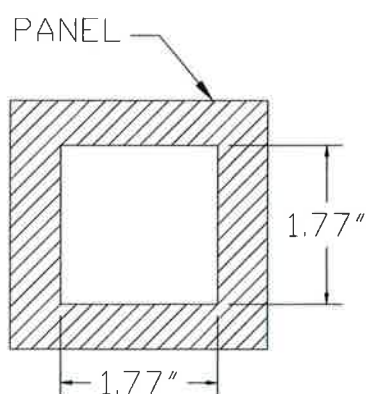
4K VAC CONTROLS BOX: 480V
ENCLOSURE INTERNAL CONTENTS



DETAIL 7-A
PANEL CUTOUT



DETAIL 6-A
PANEL CUTOUT



DETAIL 5-A
PANEL CUTOUT

QTY	ITEM NO	PART OR IDENTIFYING NO	DESCRIPTION	MATERIAL SPECIFICATION	NOTES
2	30	WAGO 249-116	END STOP	-	
1	30	HOFFMAN DAH1001A	100W ELECTRIC HEATER	-	
1	29	ALLEN BRADLEY 194R-PYT	DISCONNECT SWITCH HANDLE	-	
1	28	ALLEN BRADLEY 194R-30-MTL3	MULTI-TAP TERMINAL LUGS<LOAD SIDE ONLY>	-	
1	27	ALLEN BRADLEY 194R-N1	DISCONNECT SWITCH SHAFT	-	
1	26	ALLEN BRADLEY 194R-N30-1753	DISCONNECT SWITCH	-	
4	25	WAGO 249-116	END STOP	-	
1	24	CUTLER HAMMER C320KGS3	AUX CONTACT	-	
1	23	BUSSMANN FND-2	1-1/2 x 13/32" FUSE NON-REJECTION TYPE, 2 AMP	TIME DELAY	
2	22	BUSSMANN FNG-R-6/10	1-1/2 x 13/32" FUSE, CC REJECTION TYPE, 6/10 AMP	TIME DELAY	
1	21	WAGO 2002-1611	2-CONDUCTOR FUSE DISCONNECT TERMINAL BLOCK WITH PIVOTING FUSE HOLDER	WITH 1 AMP FUSE	
2	20	WAGO 284-308	END AND INTERMEDIATE PLATE; 2.5MM THICK	-	
3	19	WAGO 284-681	3 CONDUCTOR THROUGH TERMINAL BLOCK	-	
1	18	ALLEN-BRADLEY 800T-FX6A1	EMERGENCY STOP BUTTON	-	
1	17	CUTLER-HAMMER 10935-H3	RESET EXTENSION PUSHBUTTON	-	
1	16	R-3W	SAFESIDE VOLTAGE INDICATOR	-	
1	15	R-3W-L	SAFESIDE VTG INDICATOR LABEL	-	
AR	14	ALLEN-BRADLEY 800T-X559E	LEGEND PLATE	SEE DRAWING FOR TEXT	
2	13	WAGO 284-687	3 CONDUCTOR GROUND TERMINAL BLOCK	-	
1	12	SQUARE D 9070TF150D1	CONTROL TRANSFORMER W/FUSES 240/480V - 120V, 150VA	-	
2	11	WAGO 870-568	3 LEVEL TB END BARRIER	-	
AR	10	WAGO 201-112	35MM X 7.5 MM DIN RAIL	-	
10	9	WAGO 870-551	TERMINALS 3-LAYER	-	
2	8	OMRON PF083A-E OR EQ	RELAY SOCKET	-	
2	7	OMRON MKS2PIN DC24 OR EQ	RELAY, 24V COIL	-	
1	6	CUTLER-HAMMER AN19DNOA5E020	MOTOR STARTER, SIZE 01 120VAC CONTACTOR COIL	W/C440 ELECTRONIC OVERLOAD	
1	5	SAGINAW CONTROL SCE-20P20	PANEL, 20x20"	-	
1	4	SAGINAW CONTROL SCE-20H200BLP	ENCLOSURE, 20x20x8", TYPE 3/4/12/13	-	
1	3	ALLEN-BRADLEY 800T-QH2R	INDICATOR LIGHT, RED, 120V	-	
1	2	ALLEN-BRADLEY 800T-QH2G	INDICATOR LIGHT, GREEN, 120V	-	
AR	1	GENERIC	LABEL, ENGRAVED OR PRINTED	TEXT AS SHOWN	



- NOTES:
- WHERE NEEDED USE HARDMAN #001 (OR EQUAL) TO ADHERE LABELS.
 - 'X' IS 1 OR 2 FOR ~~CP1~~ AND ~~CP2~~ RESPECTIVELY, WHILE 'Y' IS U OR L FOR UPPER AND LOWER COLD BOX.
 - ~~HOFFMAN DAH1001A IS NOT REQUIRED IN LOWER COLD BOX.~~

4. 'W' IS 1 OR 3 FOR UPPER OR LOWER COLD BOX.

EACH SHEET OF A MULTI-SHEET DRAWING SHALL ALWAYS CARRY THE SAME REVISION LEVEL

DIN & TOL PER ASME Y14.5 2009. UNLESS OTHERWISE SPECIFIED DIMENSIONS ARE IN INCHES. TOLERANCES ARE: FRACTIONS DECIMAL ANGLES ± 1/8 ± .01 ± .50°

THIRD ANGLE PROJECTION

FINISH MACHINED SURFACES UNLESS OTHERWISE NOTED. BEVEL & BREAK ALL SHARP EDGES.

DO NOT SCALE DRAWING

DATE: 30NOV17

SCALE: NONE

SIZE: D

DWG NO: 79221-1016

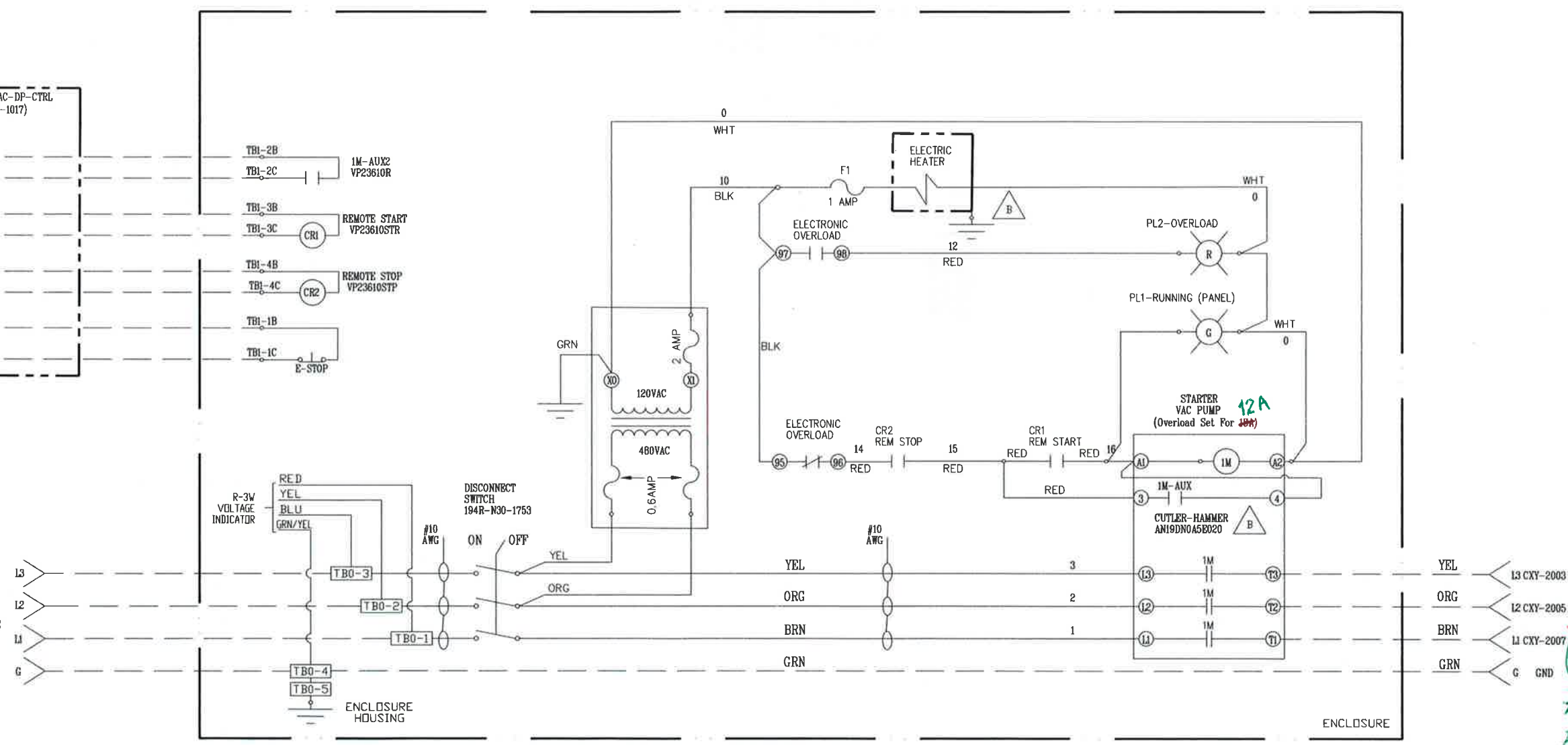
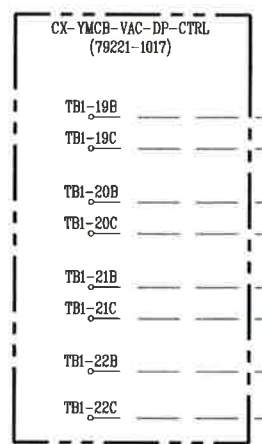
REV: B

SHEET 1 OF 2

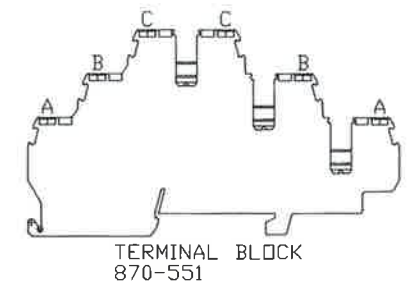
Jefferson Lab
Office of Science
Operated by Jefferson Science Associates, LLC
CThomas Jefferson National Accelerator Facility

RESTRICTIVE NOTICE: These designs and drawings were prepared by Jefferson Science Associates, LLC, hereinafter the Contractor, under Contract No. DE-AC05-00OR2177 with the Department of Energy (DOE). All rights in the designs and drawings are reserved by DOE on behalf of the United States Government and the Contractor as provided in the Contract. You are authorized to use these works for Governmental purposes but it is not to be released or distributed to the public. NEITHER THE GOVERNMENT NOR THE CONTRACTOR MAKES ANY WARRANTY, EXPRESS OR IMPLIED, OR ASSUMES ANY LIABILITY FOR THE USE OF THESE DESIGNS OR DRAWINGS. (This notice including this sentence must appear on any copies of these designs or drawings)

REVISION HISTORY				
ZONE	REV	DESCRIPTION	DATE	APPROVED
ALL	A	REVISED ENTIRELY	SS 21DEC17	21DEC17 R. NORTON
SH1 1-D		1. MOVED REVISION HISTORY BLOCK TO SH2.		
SH1 1-B		2. REVISED ITEM NO. 2,3,4 AND 5.		
SH2 4-C		3. ADDED GND CONNECTION FOR HEATER.		
SH2 3-B		4. REVISED WIRING.	SS 04FEB19	04FEB19 R. NORTON



SCHEMATIC



- NOTES:
- ALL WIRE IS #14AWG UNLESS OTHERWISE SPECIFIED.
 - ELECTRICAL HEATER NOT REQUIRED FOR LOWER COLD BOX.

SIZE	DWG NO	REV
D	79221-1016	B
SCALE	NONE	SHEET 2 OF 2