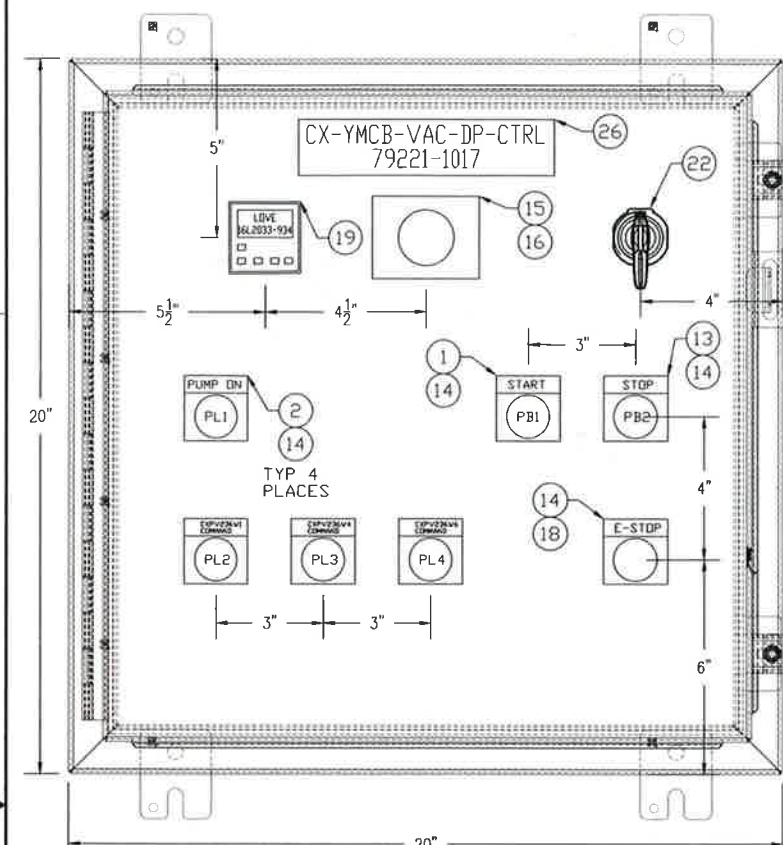
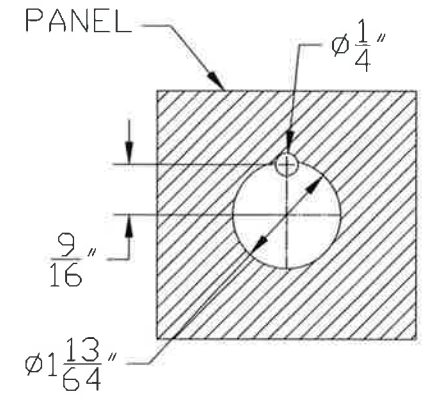
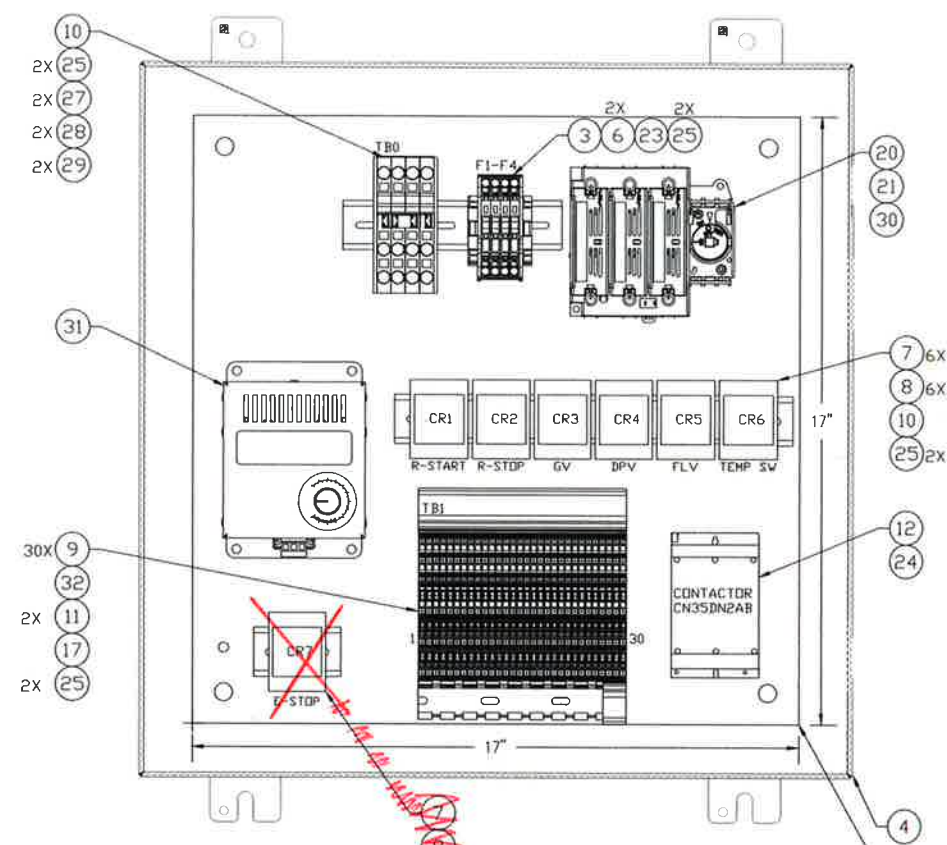


RESTRICTIVE NOTICE: These designs and drawings were prepared by Jefferson Science Associates, LLC, hereinafter, the Contractor, under Contract No. DE-AC05-68OR22077 with the Department of Energy (DOE). All rights in the designs and drawings are reserved by DOE on behalf of the United States Government and the Contractor as provided in the Contract. You are authorized to use these works for Governmental purposes but it is not to be released or distributed to the public. NEITHER THE GOVERNMENT NOR THE CONTRACTOR MAKES ANY WARRANTY, EXPRESS OR IMPLIED, OR ASSUMES ANY LIABILITY FOR THE USE OF THESE DESIGNS OR DRAWINGS. This notice including this sentence must appear on any copies of these designs or drawings.

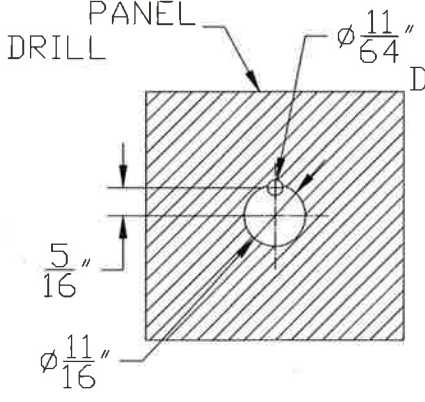
4K VAC CONTROLS BOX: 120V
ENCLOSURE FRONT PANEL



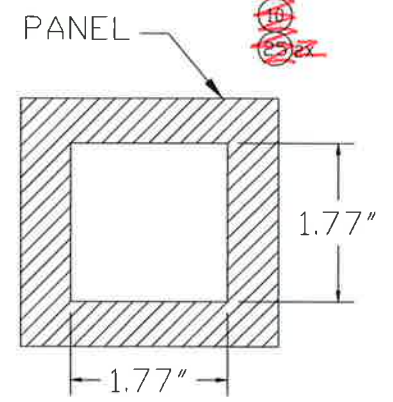
4K VAC CONTROLS BOX: 120V
ENCLOSURE INTERNAL CONTENTS



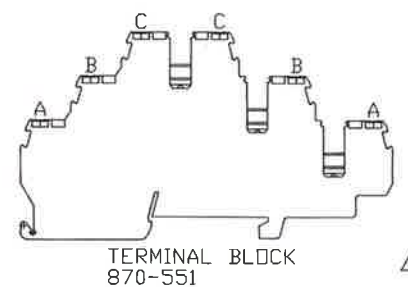
DETAIL 7-A
PANEL CUTOUT



DETAIL 6-A
PANEL CUTOUT



DETAIL 5-A
PANEL CUTOUT



TERMINAL BLOCK 870-551

REVISION HISTORY				
ZONE	REV	DESCRIPTION	DATE	APPROVED
ALL	-	INITIAL SUBMITTAL	30NOV17	R. NORTON
SH2	A	1. REARRANGED SCHEMATIC TO CLEARLY SHOW EXTERNAL CONNECTIONS. 2. MOVED 3 PART ENTRIES TO SECOND COLUMN. 3. ADDED CR7. 4. ADDED CR7 CONNECTIONS.	20JUL18	R. NORTON
SH1 3-A SH2 1-D SH2 8-D SH2 VAR	B	1. REVISED ITEM NO 3, 4 AND 5. 2. ADDED DESCRIPTION TO SIGNALS. 3. ADDED DESCRIPTION TO E-STOP. 4. REVISED SIGNAL TAGS OR START, STOP.	04FEB19	R. NORTON

QTY	ITEM	PART OR IDENTIFYING NO.	NOMENCLATURE OR DESCRIPTION	MATERIAL SPECIFICATION	NOTES
2	27	WAGO 284-681	3 CONDUCTOR THROUGH TERMINAL BLOCK		
AR	26	GENERIC	LABEL, ENGRAVED OR PRINTED	TEXT AS SHOWN	
2	25	WAGO 249-116	END STOP		
1	24	CUTLER HAMMER C320KGS3	AUX CONTACT		
1	23	BUSSMANN FNQ-5	1-1/2 x 13/32" FUSE NON-REJECTION TYPE, 5 AMP	TIME DELAY	
1	22	ALLEN BRADLEY 194R-PYT	DISCONNECT SWITCH HANDLE		
1	21	ALLEN BRADLEY 194R-N1	DISCONNECT SWITCH SHAFT		
1	20	ALLEN BRADLEY 194R-N30-1753	DISCONNECT SWITCH		
1	19	LOVE CONTROLS 16L2033-934	TEMPERATURE CONTROLLER 2 N/O OUTPUTS W 4-20mA		
1	18	ALLEN-BRADLEY 800T-FX6A1	EMERGENCY STOP BUTTON		
AR	17	WAGO 870-410	TB JUMPER		
1	16	R-3W	SAFESIDE VOLTAGE INDICATOR		
1	15	R-3W-L	SAFESIDE VOLTAGE INDICATOR LABEL		
AR	14	ALLEN-BRADLEY 800T-X559E	LEGEND PLATE	SEE DRAWING FOR TEXT	
1	13	ALLEN-BRADLEY 800T-B6D2	PUSHBUTTON, RED, NC		
1	12	CUTLER HAMMER CN35DN2AB	CONTACTOR 120VAC		
2	11	WAGO-870-568	3 LEVEL TB END BARRIER		
AR	10	WAGO 201-112	35MM X 7.5 MM DIN RAIL		
30	9	WAGO 870-551	TERMINALS 3-LAYER		
1	8	OMRON PF083A-E OR EQ	RELAY SOCKET		
1	7	OMRON MKS2PIN DC24 OR EQ	RELAY, 24V COIL		
2	6	BUSSMAN CHM1DU	FUSE HOLDER		
1	5	SAGINAW CONTROL SCE-20P20	PANEL, 20x20"		
1	4	SAGINAW CONTROL SCE-20H2008LP	ENCLOSURE, 20x20x8", TYPE 3/4/12/13		
1	3	BUSSMANN FNQ-25	1-1/2 x 13/32" FUSE NON-REJECTION TYPE, 25AMP		
4	2	ALLEN-BRADLEY 800T-QH2G	INDICATOR LIGHT, GREEN, 120V		
1	1	ALLEN-BRADLEY 800T-B1D1	PUSHBUTTON, GREEN, NO		

QTY	ITEM	PART OR IDENTIFYING NO.	NOMENCLATURE OR DESCRIPTION	MATERIAL SPECIFICATION	NOTES
1	32	DRD22LG6	PANDUIT 6.25'X2.15'		
1	31	HOFFMAN DAH2001A	200W ELECTRIC HEATER		
2	30	ALLEN BRADLEY 194-30-MTL3	MULTI-TAP TERMINAL LUGS (LOAD SIDE ONLY)		
2	29	WAGO 284-308	END AND INTERMEDIATE PLATE; 2.5MM THICK		
2	28	WAGO 284-687	3 CONDUCTOR GROUND TERMINAL BLOCK		

PARTS LIST

EACH SHEET OF A MULTI-SHEET DRAWING SHALL ALWAYS CARRY THE SAME REVISION LEVEL.

UNLESS OTHERWISE SPECIFIED DIMENSIONS ARE IN INCHES. TOLERANCES ARE: FRACTIONS DECIMAL ANGLES ± 1/8" X ± .1" ± 50° XX ± .01 XXX ± .005

THIRD ANGLE PROJECTION

FINISH: MACHINED SURFACES UNLESS NOTED DEBURR & BREAK ALL SHARP EDGES

DO NOT SCALE DRAWING

DRAWN: SWAPNIL S DATE: 30NOV17

SCALE: NONE

SIZE: DWG NO. D SHEET 1 OF 2

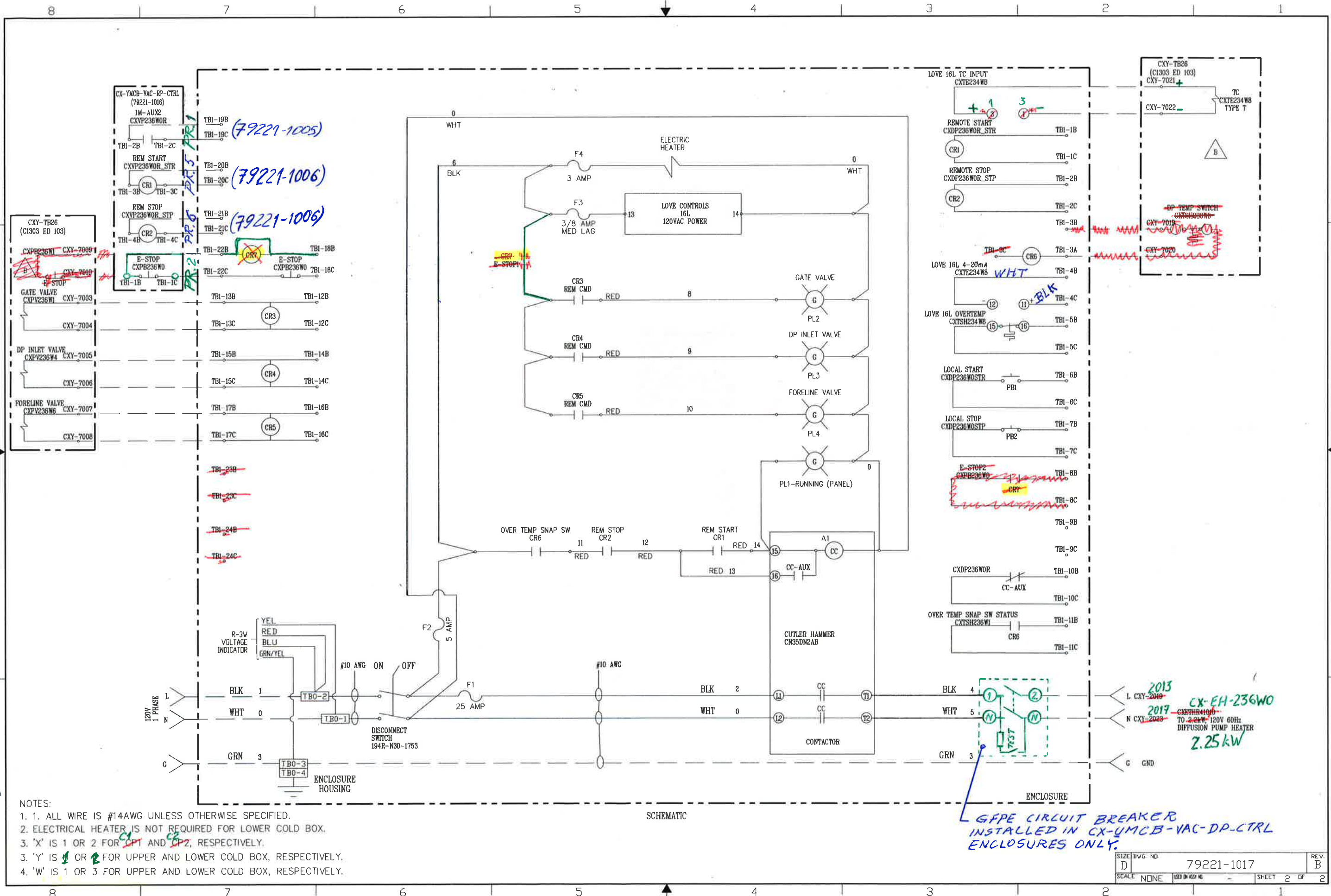
PROJECT: LCLS II CRYOGENICS MAIN COLD BOX DIFFUSION PUMP CONTROLS ENCLOSURE

DWG NO: 79221-1017

REV: B

- NOTES:
- WHERE NEEDED USE HARDMAN #4001 (OR EQUAL) TO ADHERE LABELS.
 - 'X' IS 1 OR 2 FOR CP1 AND CP2 RESPECTIVELY.
 - 'Y' IS U OR L FOR UPPER AND LOWER COLD BOX.
 - 'W' IS 1 OR 3 FOR UPPER AND LOWER COLD BOX, RESPECTIVELY.
 - ~~HOFFMAN DAH2001A IS NOT REQUIRED FOR LOWER COLD BOX.~~

RESTRICTIVE NOTICE: These designs and drawings were prepared by Jefferson Science Associates, LLC hereinafter the Contractor, under Contract No. DE-AC05-82OR21470 with the Department of Energy (DOE). All rights in the designs and drawings are reserved by DOE on behalf of the United States Government and the Contractor as provided in the Contract. You are authorized to use these works for Governmental purposes but it is not to be released or distributed to the public. NEITHER THE GOVERNMENT NOR THE CONTRACTOR MAKES ANY WARRANTY, EXPRESS OR IMPLIED, OR ASSUMES ANY LIABILITY FOR THE USE OF THESE DESIGNS OR DRAWINGS. (This notice including this sentence must appear on any copies of these designs or drawings.)



- NOTES:
1. ALL WIRE IS #14AWG UNLESS OTHERWISE SPECIFIED.
 2. ELECTRICAL HEATER IS NOT REQUIRED FOR LOWER COLD BOX.
 3. 'X' IS 1 OR 2 FOR ~~CR1~~ AND ~~CR2~~, RESPECTIVELY.
 3. 'Y' IS 1 OR 2 FOR UPPER AND LOWER COLD BOX, RESPECTIVELY.
 4. 'W' IS 1 OR 3 FOR UPPER AND LOWER COLD BOX, RESPECTIVELY.

GFCI CIRCUIT BREAKER
 INSTALLED IN CX-UMCB-VAC-DP-CTRL
 ENCLOSURES ONLY.

2013
 L CXY-2010
 2019
 N CXY-2020
 CX-EH-236WO
 TO 2.25 kW 120V 60Hz
 DIFFUSION PUMP HEATER
 2.25 kW

SIZE	DWG. NO.	REV.
D	79221-1017	B
SCALE	NONE	SHEET 2 OF 2